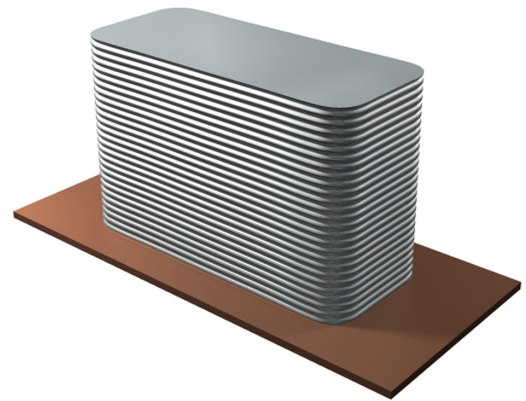


TECHNICAL DATA SHEET:

MODLINE WATER TANKS

The Modline range of Water Tanks have flat ends, giving them a smaller footprint than the equivalent capacity of Slimlines.

Modlines are available in popular colours and sizes up to 10,000 litres. A Modline tank can help maximise the water storage in a tight space. Internal stainless steel cross bracing is engineered into the tank for maximum durability and strength.



Features & Benefits

- › Made to measure
- › Made with AQUAPLATE[®] steel
- › Industry leading 20 year Corrosion Warranty & 10 year Construction Warranty
- › Option to nominate positions for Tank Inlet, Overflow and Outlet
- › Food grade polymer preventing any water to metal contact - AS4020:2018
- › Rigid cross bracing system, won't bulge or bow
- › Henrob riveting system for functional superiority
- › Rivets sit flush against tank
- › Modern look
- › Capacity up to 10,000L
- › Can be placed onto a concrete pad or an engineered timber platform
- › Available in hundreds of sizes
- › Industry leading warranty
- › Australian made
- › Planet friendly- smallest environmental footprint
- › Available in a range of Colorbond[®] colours
- › WaterMark certified

Recommended For

- › Maximise water storage in a tight space – saving on the width or length of a tank
- › Aesthetical modern design to blend with architectural features of dwelling
- › Storage of drinking water – AS 4020:2018
- › The Australian climate
- › Potable Water Systems

Inclusions

- › 25mm WaterMarked Brass Ball Valve
- › 25mm Outlets
- › 90mm Overflow with Mosquito Screen
- › 400mm Inlet & Light Guard

Preparation

First fill of water in tanks should be discarded prior to use.

Location

If possible locate the tank in a shady site away from trees to prevent debris clogging the strainer resulting in contamination of the water.

Kingspan Water Tanks | IRRIGATIONBOX

www.irrigationbox.com.au | sales@irrigationbox.com.au

Tank Base

Tanks should not be placed directly onto the ground and must be installed on a firm, stable platform with no overhang of the tank over the edge of the base. For further information refer to Kingspan Base Preparation Guide.

Accessories

There are a range of accessories such as pumps, filters, level indicators, rain heads and stands that are available from Kingspan.

Inlet Strainers

Anodised aluminium mesh or stainless is recommended for Inlet Strainers. Copper or copper alloys must not be used. Overflow diameter should match inflow pipe diameter. A PVC Overflow with appropriately contoured flanges or a stormwater pipe adaptor should be fitted and a gauze filter should also be fitted to exclude mosquitoes.

Odour & Taste

Care should be taken to ensure that contaminants are not introduced into the water tank. In the event that any odour or taste is noticed, the catchment area should be checked for contaminants such as lichen or deceased animals as these are known to affect water quality. New tanks should be flushed out if slight odour or taste is present.

Quality Assurance

Kingspan operates under the ISO9001 Quality Management System. Each tank passes through a 20 point quality inspection. Tanks are water tested for structural integrity.

Warranty

Kingspan offers this product under 20 years Corrosion Warranty and 10 years Construction Warranty. Refer to our Terms & Conditions document and Warranty document for further information.



Physical Properties: Appearance – Made to Measure

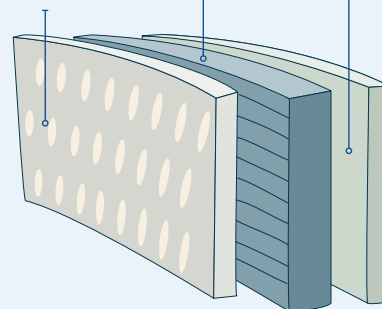
Height	580mm – 2470mm
Width	700mm – 1150mm
Length	1200mm – 4000mm
Min Size	770 litres
Max Size	10000 litres
Vertical Wall	Precision roll formed 0.6mm AQUAPLATE® steel
Base	Double sided AQUAPLATE® steel (internal & external polymer lining)
Lid	Colorbond® or Z450 grade material
Rivets V Tek Screws	Henrob self piercing rivets. Reinforced 6mm, grade 304 stainless steel tension rods
Sealing	Neutral cure silicone sealant potable water approved
Corrugations	Corrugations for the tank walls comply with AS1445
Corrosion protection	Z450 Galvanised, Z275 Colorbond®, Painted – Low VOC Acrylic type paint

AQUAPLATE® Steel

Thermal Resistance	Do not store water at temperatures in excess of 65°C
--------------------	--

Maximum durability

Food-grade polymer liner adhered to the steel Galvanised base steel Heavy duty top colour coating



AQUAPLATE® and Colorbond® Steels are registered trade marks of Blue Scope Steel Limited.